

1

2

3

4

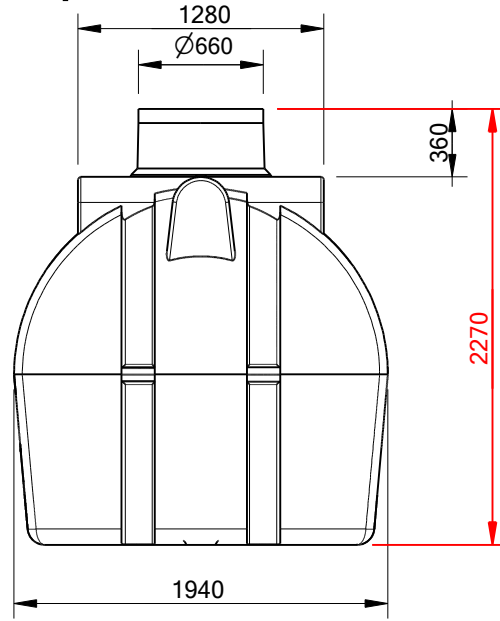
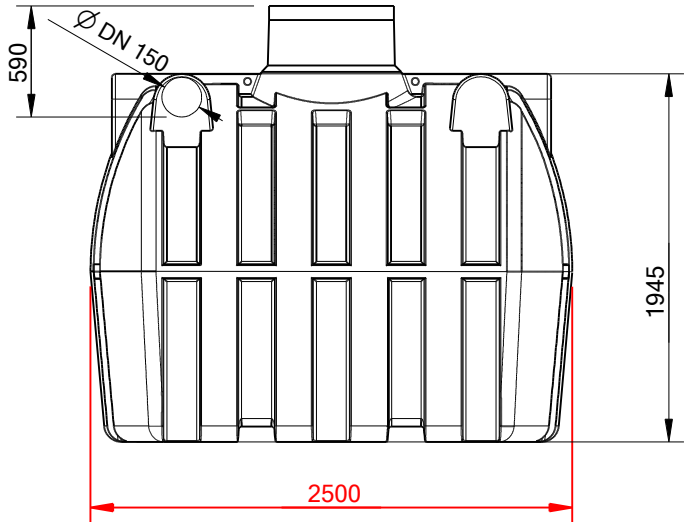
5

6

RevNo	Revision note	Date	Signature	Checked
-------	---------------	------	-----------	---------

A

A

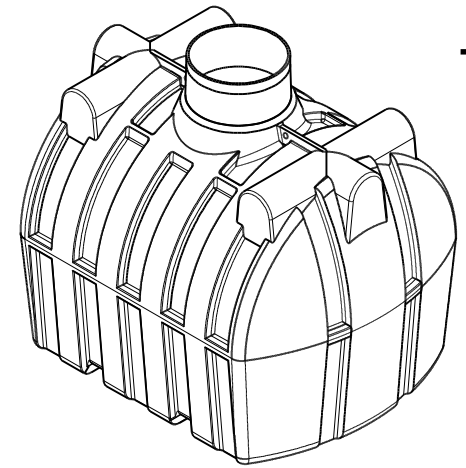
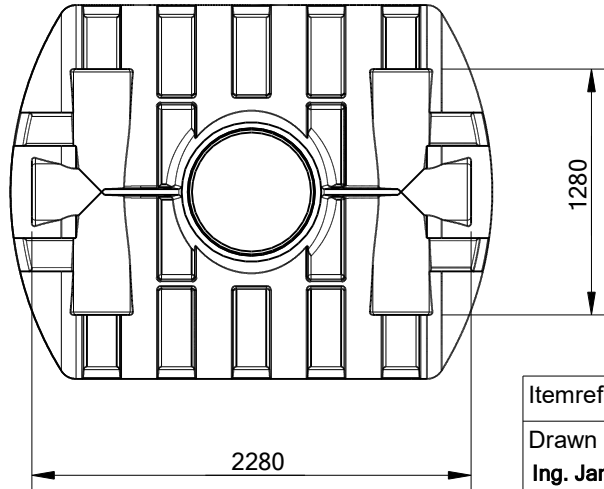


B

B

C

C



D

D

Itemref	Quantity	Title/Name, designation, material, dimension etc	PE 220 kg	Article No./Reference
Drawn by	Checked by	Approved by - date	File name	Date
Ing. Jan BURIAN				05.03.2021
				Scale
				1 : 40

ND 7000	AB PLAST s.r.o. Pohodlí	
	DWG NO.	Edition Sheet
		1

1

2

3

4

5

6